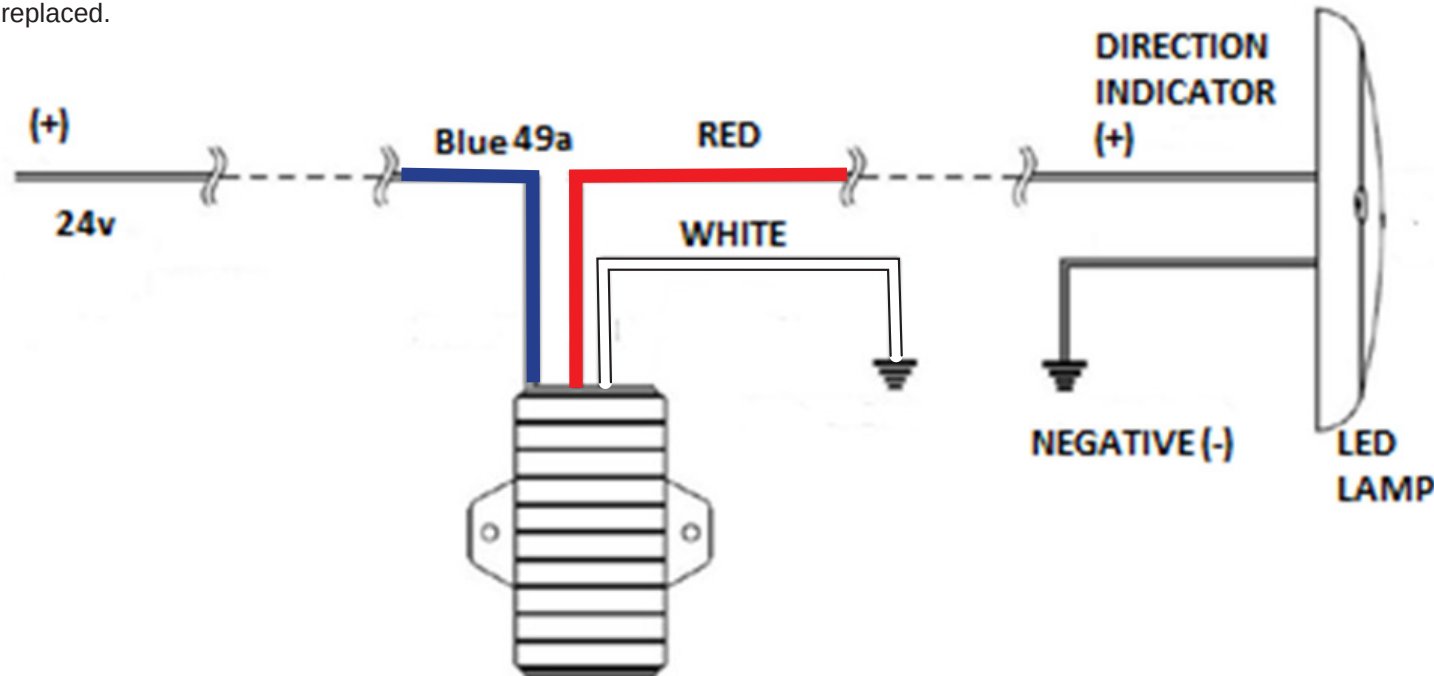


Wiring Diagram For One CA 7056

The 'Resistor for Direction Indicator' is designed only for use with LED Rear Lamps on vehicles using a conventional flasher unit. Correct operation cannot be guaranteed if used in any other application or on a vehicle with an advanced lighting system controller.

Care should be taken to ensure that the cables are connected in accordance with the wiring diagram. The **RED CABLES** must not be allowed to contact negative. Although the device has built in over-voltage protection, a non-replaceable internal fuse protects overvoltage and short circuit conditions. If this fuse blows the device will permanently indicate a 'bulb failure' and will need to be replaced.



Disclaimer: This diagram is to be used as a guide, Use of this guide is at the installers risk.